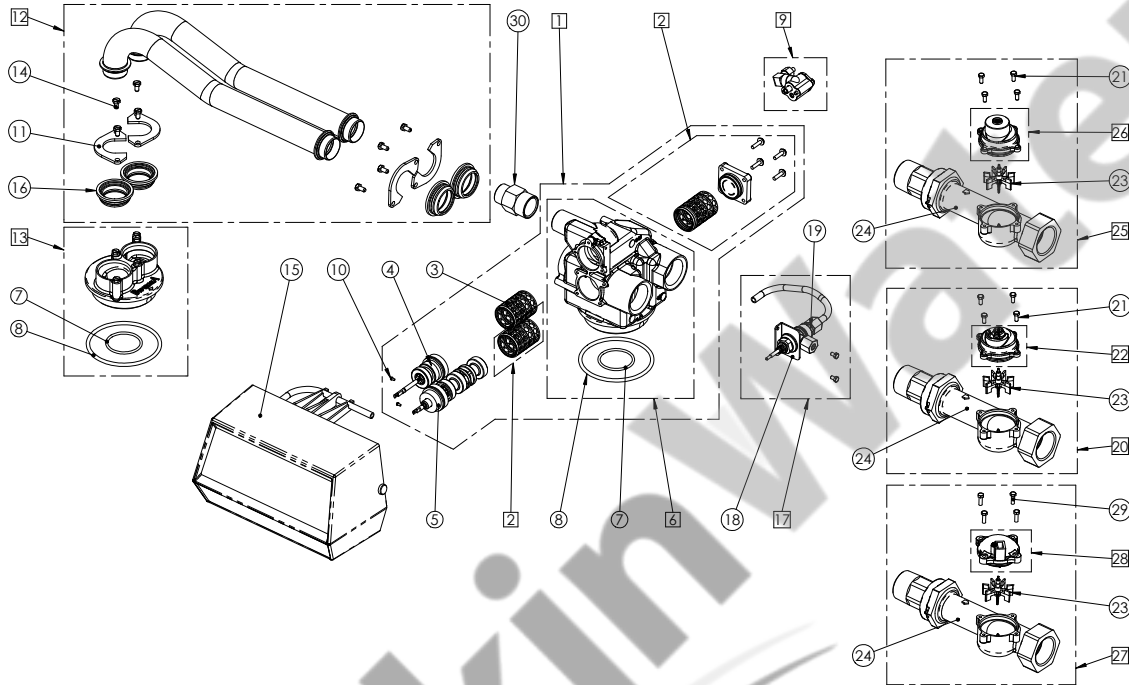


9500 VALVE

SPARE PARTS

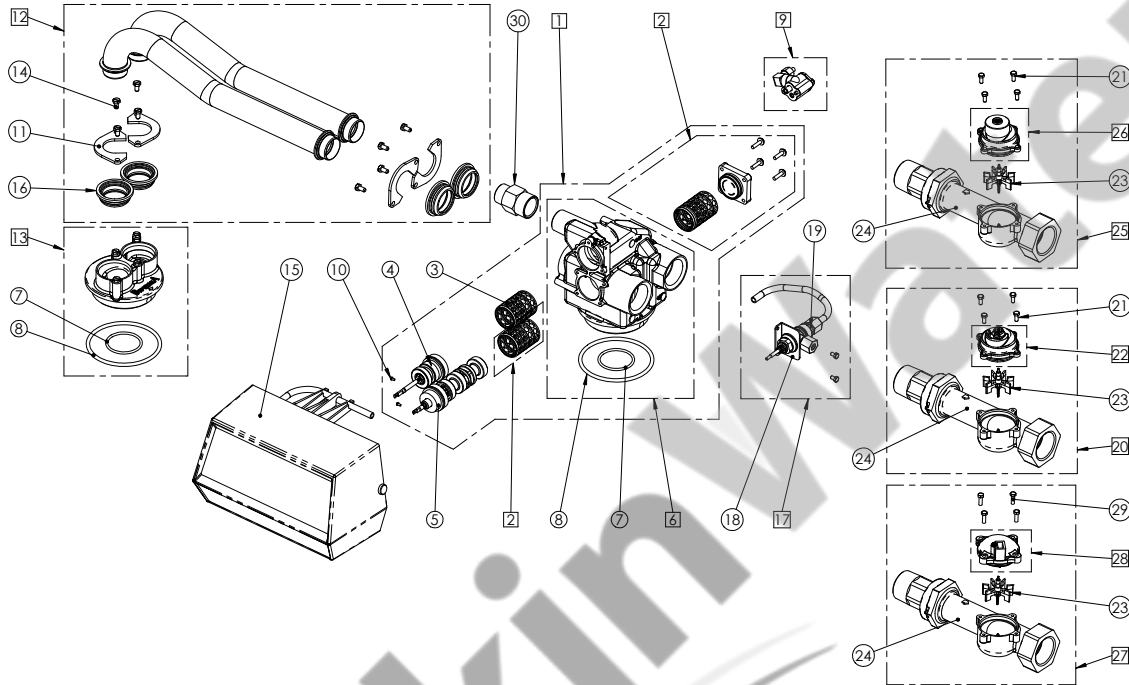


9500 spare parts

Item	Reference	Description	Packing qty
1	BU28525-01	VB assy 9500	1
	BU28525-02	VB assy 9500 HW	1
2	BU28686	S&S kit 9500 lowerpack	1
3	BU28685	S&S kit 9500 upper pack	1
4	18052	Piston assy 9500 upper	1
	18052-01	Piston assy 9500 upper HW	1
5	18053	Piston assy 9500 lower	1
	18053-01	Piston assy 9500 lower HW	1
6	BU28651	VB 9500 w/ O-rings	1
7	13577-01SP	O-ring 560 CD Distrib Tube -(10 pc)	1
8	16455-01	O-ring 560 CD	1
9	27150-1	Inj assy 1600 9500 # 1	1
	27150-2	Inj assy 1600 9500 # 2	1
	27150-3	Inj assy 1600 9500 # 3	1
	24173-3	Inj assy 1700/1710	1
	24173-4	Inj assy 1700/1710	1
	24173-5	Inj assy 1700/1710	1
10	11335SP	Piston Rod Screw 9000/9100/9500 - (50 pc)	1
11	28107SP	Flange Tube 9500 -(4 pc)	1
12	28137-xx	Kit copper tubes 2nd tank adapter - xx" - See accessories section	
13	18050	2nd tank adapt assy 9500	1
14	23728SP	Screw THM 6x12 -(50 pc)	1
15	VCPHTWIN1	PH 9000/9100/9500 - See VC sub-assemblies section	

9500 VALVE

SPARE PARTS

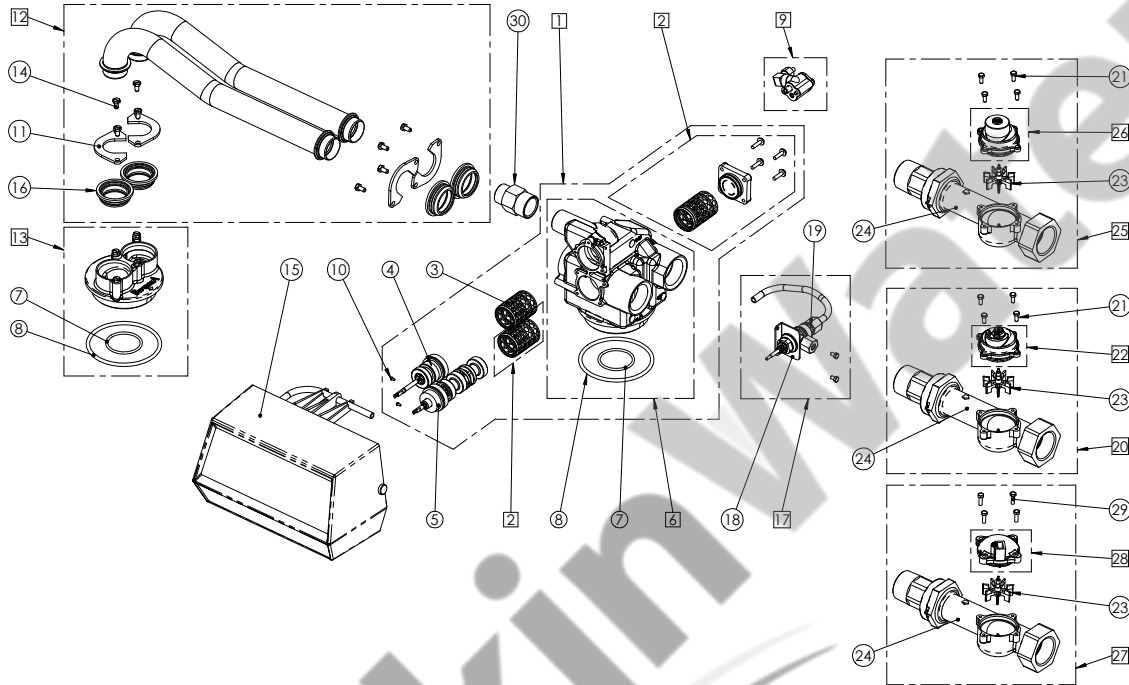


9500 spare parts

Item	Reference	Description	Packing qty
16	28139	Spacer assy tube 9500	2
17	BU28784-0.25	BV 1600 assy 9500 hot water 0.25 gpm	1
	BU28784-0.50	BV 1600 assy 9500 hot water 0.50 gpm	1
	BU28784-1	BV 1600 assy 9500 hot water 1 gpm	1
	BU28798-0.25	BV 1650 assy 9500 0.25 gpm	1
	BU28798-0.50	BV 1650 assy 9500 0.50 gpm	1
	BU28798-1	BV 1650 assy 9500 1 gpm	1
	BU28618-1.2	BV 1700 9500 1.2 gpm	1
	BU28618-2	BV 1700 9500 2 gpm	1
	BU28618-4	BV 1700 9500 4 gpm	1
	BU28618-7	BV 1700 9500 7 gpm	1
	BU28612-1.2	BV 1710 9500 1.2 gpm	1
	BU28612-2	BV 1710 9500 2 gpm	1
	BU28612-4	BV 1710 9500 4 gpm	1
	BU28612-7	BV 1710 9500 7 gpm	1
18	16922	Bracket BV 9500	1
19	BU28799-0.25	Kit BV 1650 assy 9500 0.25 gpm	1
	BU28799-0.50	Kit BV 1650 assy 9500 0.50 gpm	2
	BU28799-1	Kit BV 1650 assy 9500 1 gpm	3
	18092-0.25	Kit BV 1600 & BLFC assy indus	1
	18092-0.50	Kit BV 1600 & BLFC assy indus	1
	18092-1	Kit BV 1600 & BLFC assy indus	1
	BU28572-1.2	BV 1710 9500 1.2 gpm	1

9500 VALVE

SPARE PARTS

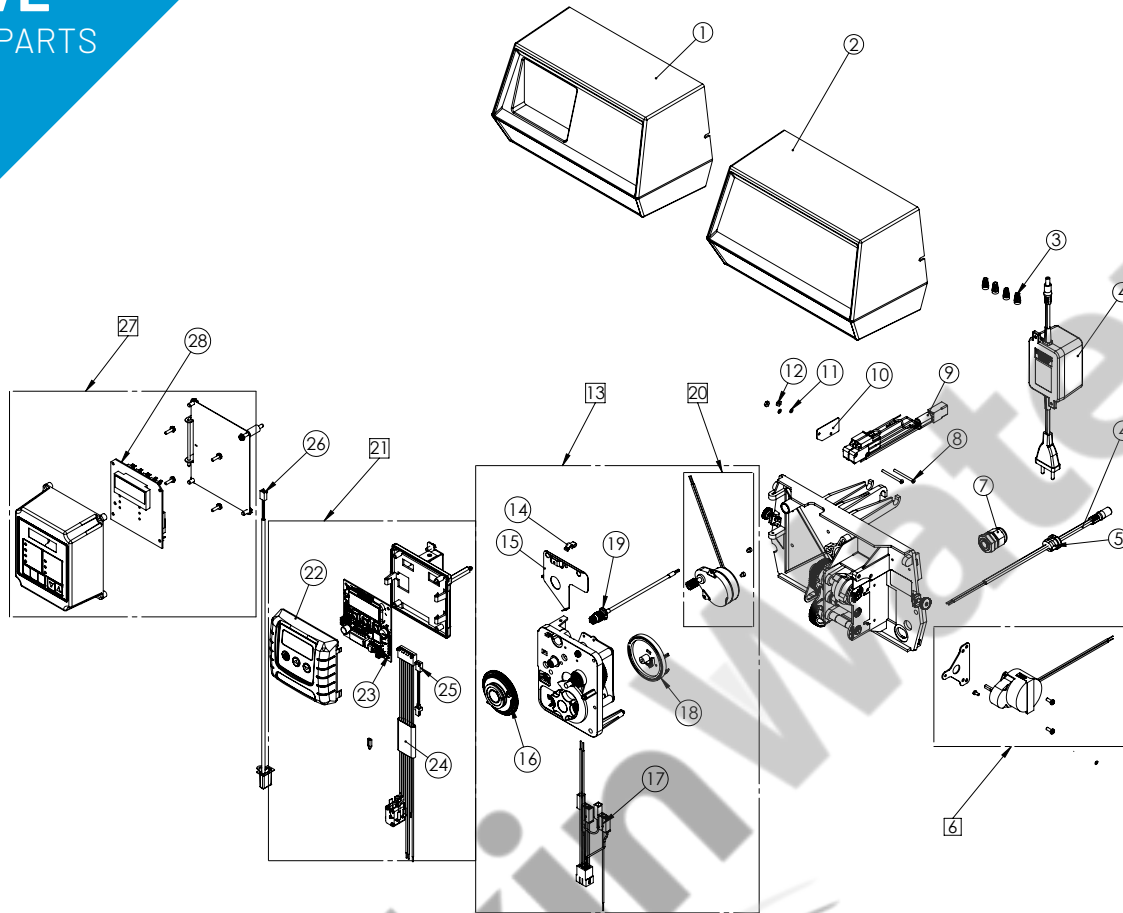


9500 spare parts

Item	Reference	Description	Packing qty
	BU28572-2	BV 1710 9500 2 gpm	1
	BU28572-4	BV 1710 9500 4 gpm	1
	BU28572-7	BV 1710 9500 7 gpm	1
	18057-1.2	BV 1700 assy HW 9500 1.2 gpm	1
	18057-2	BV 1700 assy HW 9500 2 gpm	1
	18057-4	BV 1700 assy HW 9500 4 gpm	1
	18057-7	BV 1700 assy HW 9500 7 gpm	1
20	18509	Meter assy 1 1/2" 40 m ³ 9500	1
21	11737SP	Screw TH M5x12 - (50 pc)	1
22	15218	Cover meter assy brass	1
23	13509SP	Impeller Meter Except 2" & 3" - (10 pc)	1
24	27957	Meter body 1 1/2" 9500	1
25	18508	Meter assy 1 1/2" 200 m ³ 9500	1
26	15237	Meter cover assy brass extended	1
27	28076	Meter assy 1 1/2" elec 9500	1
28	18330	Meter cover assy elec	1
29	21716SP	Screw THM 5x16 - (50 pc)	1
30	25581-ALL	DLFC kit 1" 2850/9500 10 to 25 gpm	1

9500 VALVE

SPARE PARTS

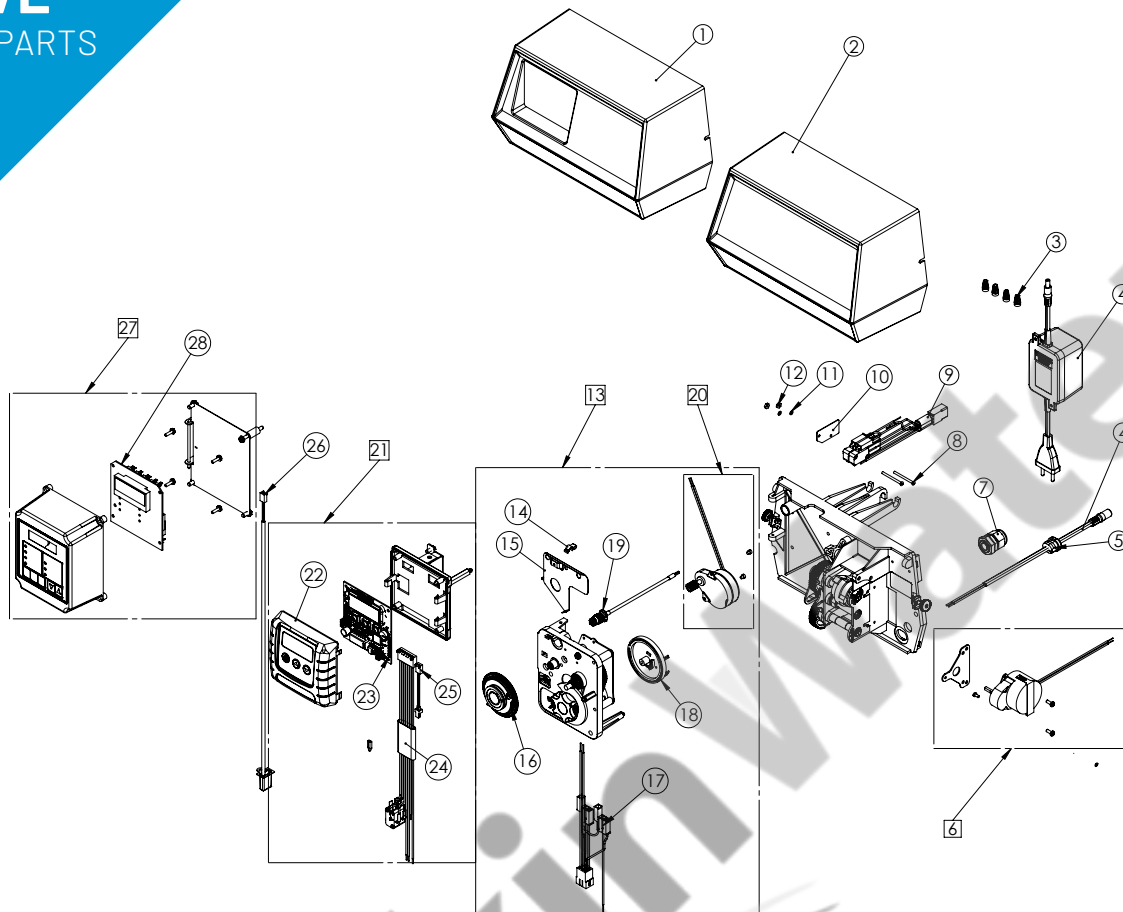


VCPHTWIN1 power head Twin valves

Item	Reference	Description	Packing qty
1	BU26473	Cover assy black left window 9500/9000 ET	1
2	19291-020	Cover 9000/9100/9500 black	1
3	40422SP	Wire Nut Tan - (50 pc)	1
4	BU28597	Kit transfo 10 VA 400 mA resid	1
5	13547SP	Strain Relief 24V - (50 pc)	1
6	26503-24	Drive motor assy 24V 50/60hz twin	1
7	17967	Liquid tight	1
8	15172SP	Screw Flat Head 9000/9100/9500 - (50 pc)	1
9	BU27746	Harness 9000	1
10	10302SP	Insulator Limit Switch - (50 pc)	1
11	11663SP	Lock Washer - (50 pc)	1
12	10339SP	Nut Switch Mount - (50 pc)	1
13	VCTIMER	Timer mechanical industrial - See VC sub-assemblies section	
14	17513SP	Clip Spring - (10 pc)	1
15	15227	Plate clutch actuator	1
16	24580	Pgm wheel assy 8 m ³ 9000/9100	1
	24914	Pgm wheel assy 20 m ³ 9000/9100	1
	24915	Pgm wheel assy 40 m ³ 9000/9100/9500	1
	24916	Pgm wheel assy 100 m ³ 9000/9100	1
17	15203	Harness timer 9000/ 9500	1
18	24201	Pgm wheel assy 160 min	5
19	25724	Kit meter cable assy 9000/9000/6	1
	25725	Kit meter cable assy 9000 1"	1

9500 VALVE

SPARE PARTS



VCPHTWIN1 power head Twin valves

Item	Reference	Description	Packing qty
20	26778	Timer motor assy 24V/50Hz 1/30 RPM	1
21	BU28712-02	Timer assy SXT 9000/9100/9500	1
22	BU28714	Cover front panel & label SXT	1
23	BR43346-E0	Circuit board SXT programmed eco	1
24	BU28528	Wire harness w/ switches	1
25	BU27808	Meter cable adapt SE 60 mm	1
26	19121-01	Meter cable SE/SXT 0,450 m	1
	19121-02	Meter cable ET 0,5 m	1
27	27726	Timer et 9000/9100/9500 DF	1
	28358	Timer et 9000/9100 UF	1
28	BU28529	Circuit board 3200 ET	1